

SPECIFICATIONS

Media Types
Violet sensitive (405 nm) photopolymer and silver halide metal plates.

Recording Source
Violet laser diode (405 nm), available for photopolymer or silver halide plates.

Resolutions
Resolutions from 1800 to 3556 dpi. (1800, 2400, 2540, 3048, and 3556 dpi available)

Image Scaling
Image scaling from 85% to 110% of original.

Repeatability
0.001" (0.025 mm) typical over six consecutive separations on plate. May vary according to media type and processing conditions.

MAKO 8 Plate sizes
Maximum: 32.4" x 45.0" (824mm x 1143 mm)
Minimum: 10.0" x 10.0" (254 mm x 254 mm)

Environmental
Power: 100 – 240 Volts;
3 Amps; 250 Watt maximum;
50/60 Hz, single phase;
Heat dissipation: 850 BTU/hour.

Weight
900 lbs (409 kg).

Operating Conditions
62 – 86° F (17 – 30° C);
relative humidity 45 – 65%,
noncondensing.

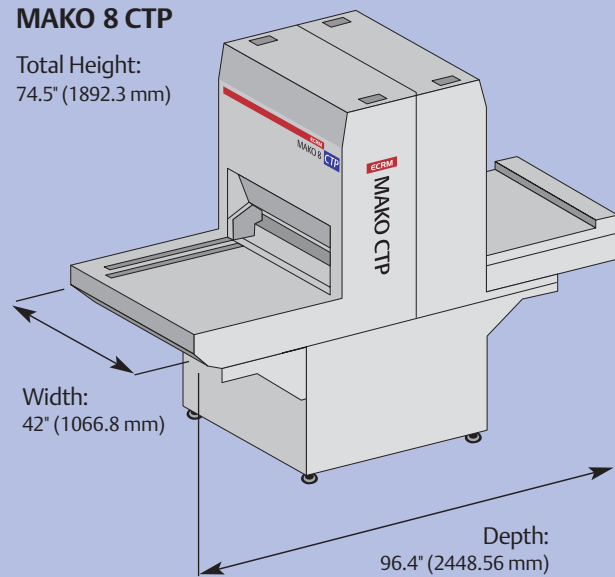
Relative Humidity outside of this range may affect performance. Operating conditions outside plate media specifications may affect performance.

MAKO 8 CTP

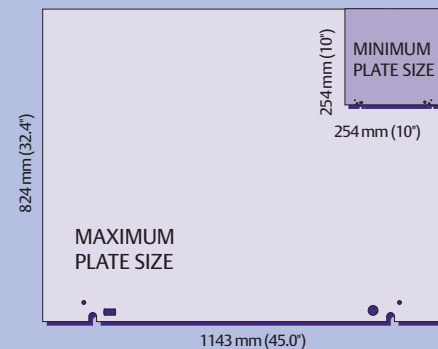
Total Height:
74.5" (1892.3 mm)

Width:
42" (1066.8 mm)

Depth:
96.4" (2448.56 mm)



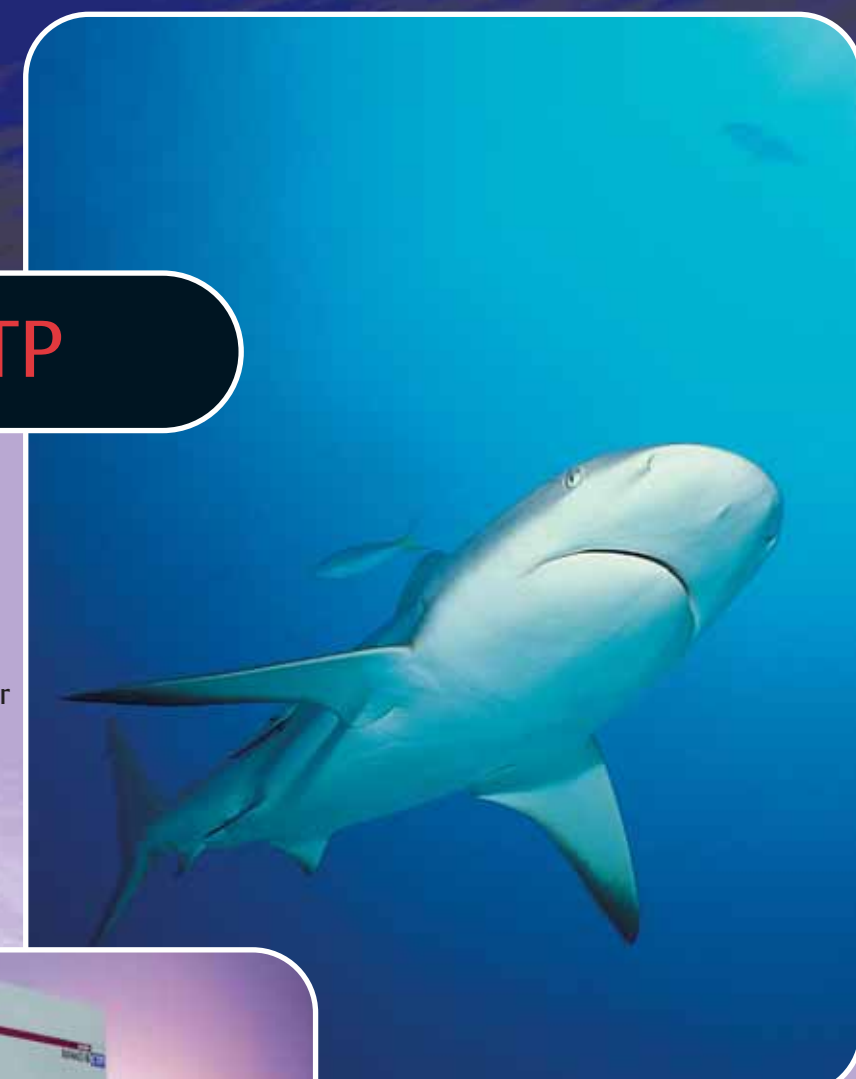
MAKO 8 supports the widest range of press formats



DEALER STAMP

MAKO 8 CTP

- Fast and flexible 8-page CTP
- Supports press formats from 10.0" x 10.0" (254mm x 254mm) to 32.4" x 45.0" (824mm x 1143mm)
- Images up to 20 8-page plates per hour
- Lowest cost of operation in its class
- Proven MAKO imaging technology



...the final step in the evolution of 8-page CTP

ECRM Headquarters:

554 Clark Road
Tewksbury MA 01876
USA
Tel: (+1) 978.851.0207
Fax: (+1) 978.851.7016
sales@ecrm.com

ECRM Sales Offices:

3 Century Court, Tolpits Lane
Watford, Hertfordshire
WD18 9PU, UK
Tel: (+44) 1923.218.255
Fax: (+44) 1923.218.256
sales_uk@ecrm.com

Room 1508 Nanyang Plaza
57 Hung To Road
Kwun Tong, Kowloon
Hong Kong
Tel: (+852) 2564.8989
Fax: (+852) 2564.8821
sales_hk@ecrm.com

Room 1135-1136
Office Tower 1 Beijing Junefield Plaza
No. 6 Xuan Wu Men Wai Da Jie.
Beijing 100052, China
Tel: (+86)10 63109010/11/12
Fax: (+86)10 63109013
sales_hk@ecrm.com



All ECRM products carry the CE mark. All products are CSA & CSA/NRTL certified. Class 1 Laser Products. ECRM's Tewksbury facility is ISO9001 certified.

MAKO 8 CTP



Breaking the price barrier for 8-page CTP, the MAKO 8 delivers high quality and press format flexibility at the lowest possible cost of operation

Based on the world's most popular imaging technology, the new MAKO 8 brings high quality, cost-effective platesetting to 8-page printers. With a maximum format of 32.4" x 45.0" (824mm x 1143mm) and production speeds of 20 8-page plates per hour, the MAKO 8 is designed to keep multipress environments efficient through flexible, fast and trouble-free operation.

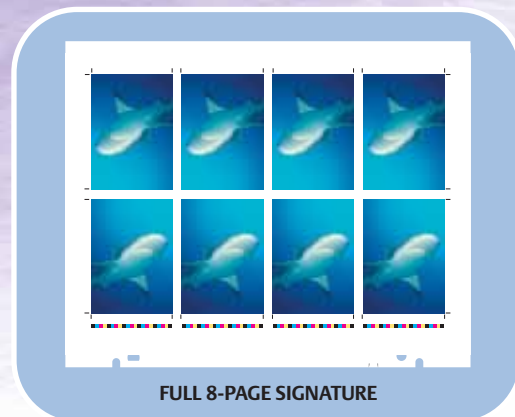
To accommodate the widest range of presses, the MAKO 8 integrated registration system changes in just a few seconds, allowing maximum flexibility in job scheduling across multiple presses.

The ability to accurately image right to the edge of the plate enables the MAKO 8 to easily comply with the small lock-up dimensions required by today's modern presses (<8 mm).

Flexibility

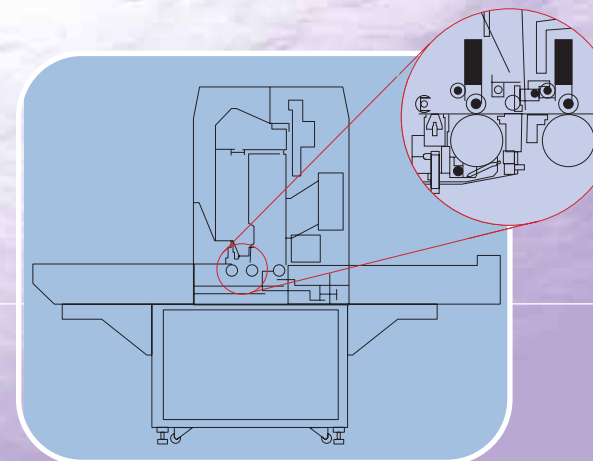
The MAKO 8 is designed to facilitate maximum format flexibility. The MAKO 8 can accommodate any plate size between 32.4" x 45.0" (824mm x 1143mm) and 10.0" x 10.0" (254 mm x 254 mm). The largest format provides generous space for 8-page jobs with all trim marks and color bars in position. The minimum format allows for most popular duplicator size presses.

The integrated registration system uses the same registration notches as the press. This ensures optimum imaging-to-plate-to-press registration, delivering fast makeready during press start up.



Productivity

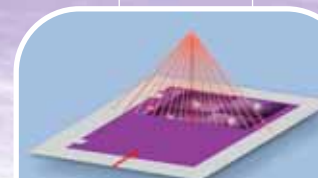
MAKO 8 eliminates time delays and design complexities associated with loading and unloading of large plates. Using a straight through plate path, the MAKO 8 provides easy operation and automated delivery to the processor.



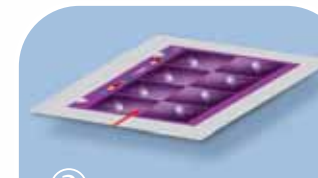
Three easy steps to MAKO 8 platemaking



- 1 Plate aligned against pin bar registration system
Registration system matched to press(es)



- 2 Plate moves under imaging head
Laser overscans plate, imaging total area if required
Position controlled by Precision Drive System to within $\pm 2\mu$



- 3 Plate automatically moves to online processor

Perfect registration is electronically detected and the plate is automatically moved under the violet imaging laser by ECRM's patented precision drive system.

The MAKO 8 supports all plate thicknesses from 0.15 mm to 0.3 mm (0.006" - 0.012") without any user intervention.

MAKO 8 produces up to 20 8-page plates per hour at 2540 dpi. Smaller plate formats and lower resolution will increase plate throughput.

MAKO 8 imaging

MAKO 8 imaging uses unique optical technology that provides optimum format flexibility while maintaining absolute accuracy and consistency.

Violet imaging has been chosen for the MAKO 8 due to the long life, low cost and industry-wide popularity of the violet plate. The single beam is easy to calibrate to the sensitivity of any violet plate and delivers sharp dots on violet media. Resolutions up to 3556 dpi make the MAKO 8 suitable for even the most demanding commercial print jobs, including those reproduced with stochastic screening.

Modular design

The modular design of the MAKO 8 keeps maintenance simple and costs low. In addition, the optical assembly allows easy, on-site changes between silver halide and photopolymer plates. This ensures ongoing compatibility with the key CTP plates on the market.

No hidden extras

MAKO 8 is a full-featured CTP solution with no hidden extras. All you need is a plate and a processor to get you into production.

The following components are included:

- MAKO 8 CTP platesetter – photopolymer or silver halide capability
- Integrated registration system – interchangeable pin bars that match your existing registration system
- Computer platform – pre-configured Intel Pentium 4
- CtServer software – enables easy integration to any 1-bit TIFF workflow
- Processor bridge – online connection to a suitable processor

Easy installation/integration

The MAKO 8 is easy to install, operate and maintain. It uses standard power outlets and is easily integrated into existing workflows through 1-bit TIFF compatibility.

Savings

By capitalizing on the time and resource savings of CTP production, the MAKO 8 offers a new price point for 8-page CTP with a rapid return on investment. The MAKO 8 sets new standards in the cost of entry providing 8-page printers with the highest overall savings in the industry.

CTSERVER WORKFLOW

